

KM-992

SPECIFICATION

For U.S.A. and Canada

Rated Power Output

150 watts per channel minimum RMS, both channels driven, at 8 Ω from 20 Hz to 20,000 Hz with no more than 0.03% total harmonic distortion. (FTC)

Total Harmonic Distortion	
20 Hz to 20,000 Hz	0.015% at 1/2 rated power into 8Ω
1 kHz	0.002% at 1/2 rated power into 8Ω
Inter Modulation Distortion	
(60 Hz, 7 kHz = 4:1)	0.002% at rated power into 8Ω
Frequency Response	5 Hz to 200 kHz, +0 dB, -3 dB
Signal-to-Noise Ratio (IHF-A)	120 dB (MAIN IN)
Damping Factor	More than 35 at 50 Hz into 8Ω

General

Power Consumption 5 A

AC outlets

UNSWITCHED 2: (Total 100 W, 0.8 A max.)

Dimensions

W: 440 mm (17-5/8")
H: 133 mm (5-1/4")
D: 276 mm (10-7/8")

Weight (net) 8.6 kg (19.0 lb)

Note:

KENWOOD follows a policy of continuous advancements in development. For this reason specifications may be changed without notice.

Note:
Component and circuitry are subject to modification to insure best operation under differing local conditions. This manual is based on the Other Areas (M) standard, and provides information on regional circuit modification through use of alternate schematic diagrams, and information on regional component variations through use of parts list.

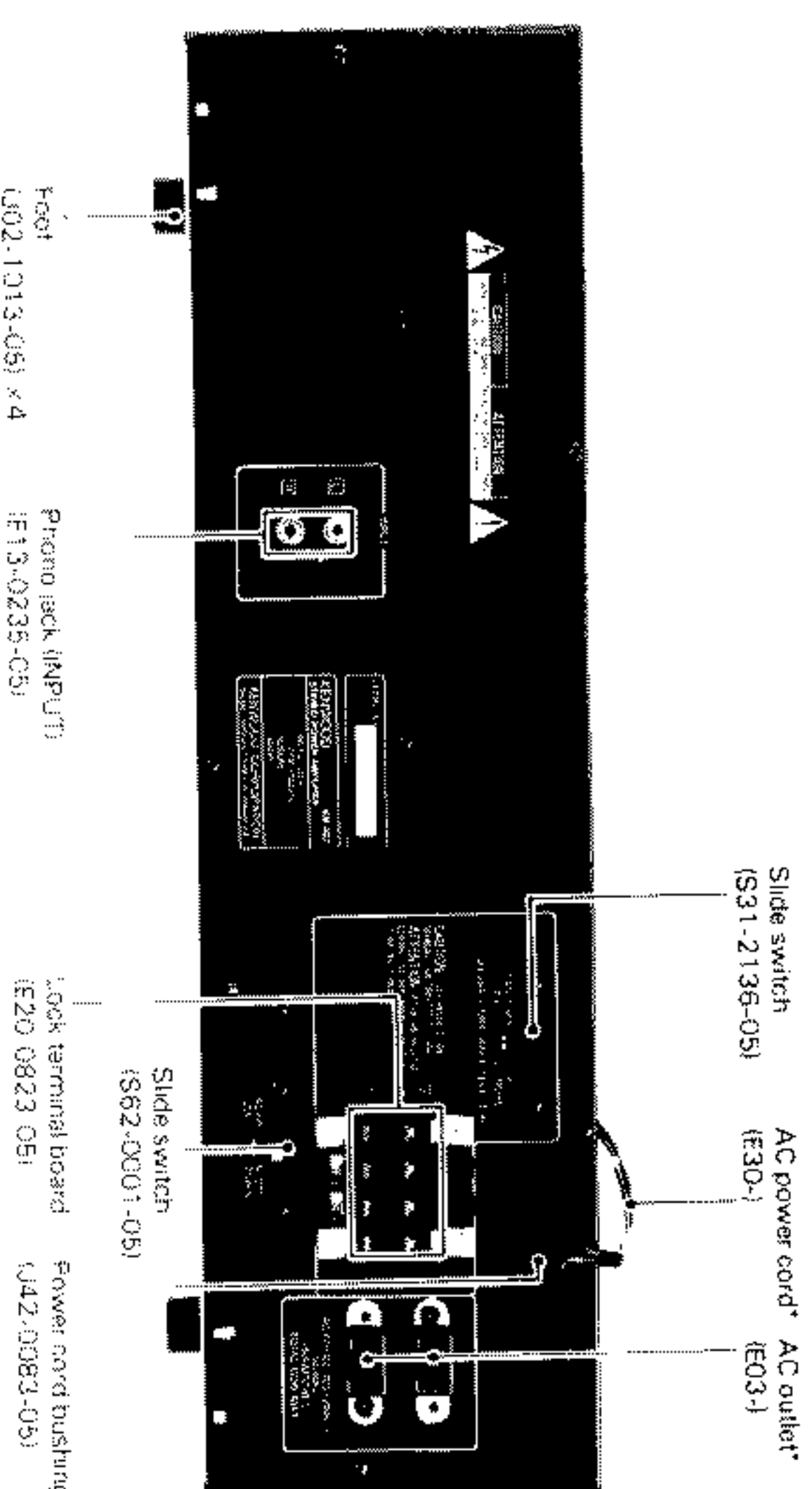
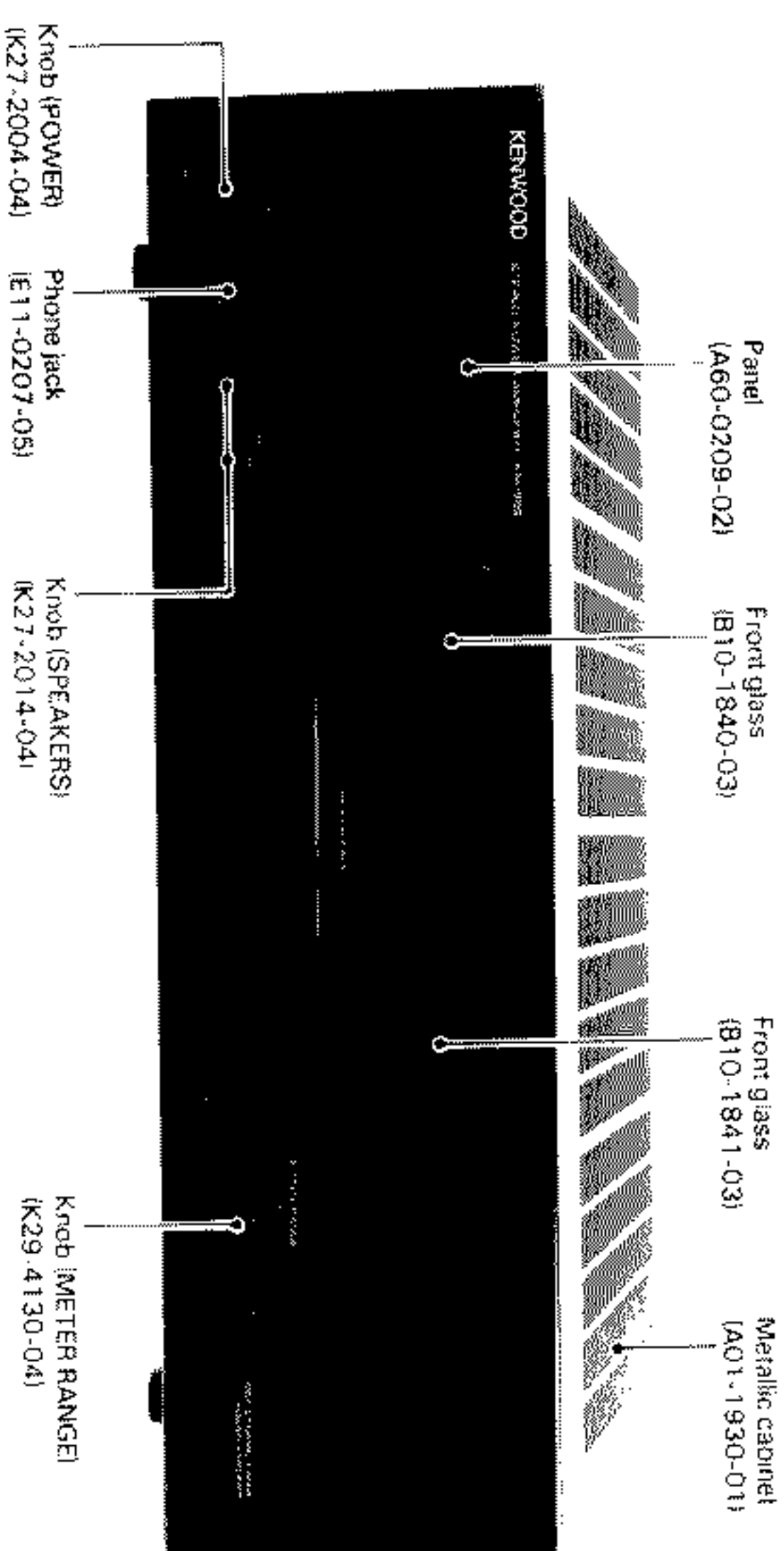
KENWOOD CORPORATION

Shimada Building, 1-2-1, Higashi-Shinjuku, Shinjuku-Ku, Tokyo 162, Japan
KENWOOD U.S.A. CORPORATION
 2201 East Devon Square, Torrance, California 90501, U.S.A.
KENWOOD ELECTRONICS CANADA INC.
 P.O. Box 10001, 555 Sand Hill Drive, Scarborough, Ontario M1V 5E7, Canada
TRIO-KENWOOD U.K. LIMITED
 KENWOOD House, Dragon Head, Watford, Herts, WD1 8BB, United Kingdom
KENWOOD ELECTRONICS BENELUX N.V.
 De Wijkweg 42, B-1401, Drogenbos, Belgium
KENWOOD ELECTRONICS DEUTSCHLAND GAMBH.
 Postfach 50, D-5254, Bad Godesberg, Germany
TRIO-KENWOOD FRANCE S.A.
 13, Boulevard des Capucines, 75001 Paris, France
KENWOOD LINEAR S.p.A.
 40126, Villanova, 40062, Italy
KENWOOD ELECTRONICS AUSTRALIA PTY. LTD.
 P.O. Box 504, 8 Fender Drive, Australia Centre, Horsham, N.S.W. 2120, Australia
KENWOOD & LEE ELECTRONICS LTD.
 Wang Pui Building, 400, King's Road, Kowloon, Hong Kong

STEREO POWER AMPLIFIER KM-992 SERVICE MANUAL

KENWOOD

C 1991-11 PRINTED IN JAPAN
B51-4471-00(S)2365

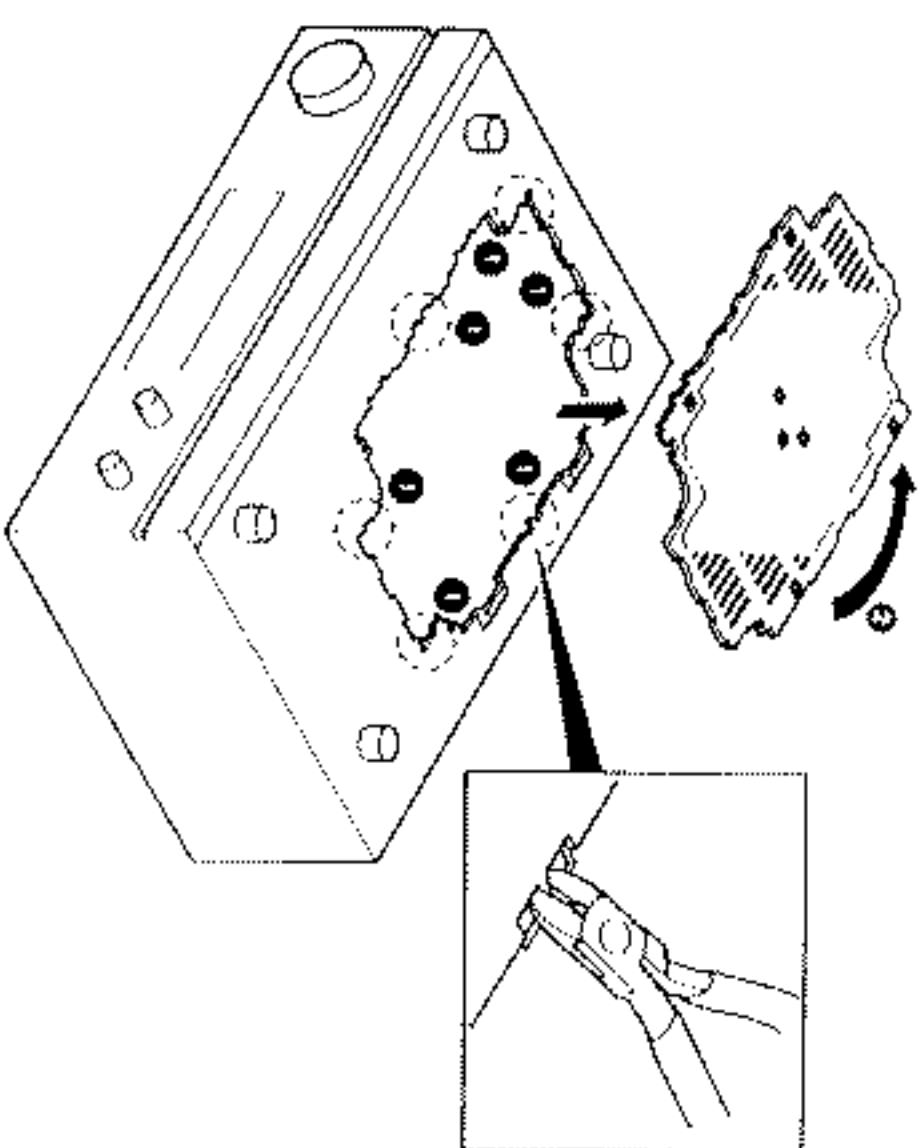


* Refer to parts list on page 12.

DISASSEMBLY FOR REPAIR

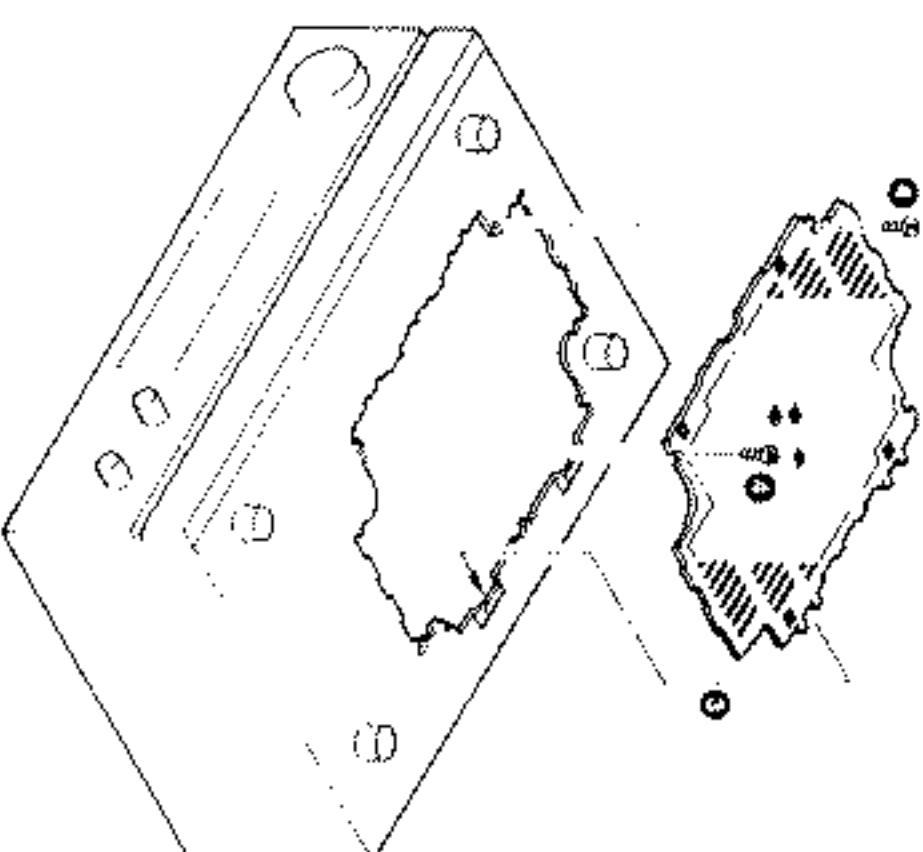
How to remove the repairing chassis

- 1 Cut the 6 parts ① of the repairing chassis. Remove the repairing chassis from main chassis.



After repair

- 2 Turn the repairing chassis 180 degrees in the arrow direction ②.
- 3 Insert the 2 claws ③ into main chassis.
- 4 Lock to the main chassis by 2 screws (M3 X 6) ④.



ADJUSTMENT/REGLAGES/ABGLEICH

ADJUSTMENT

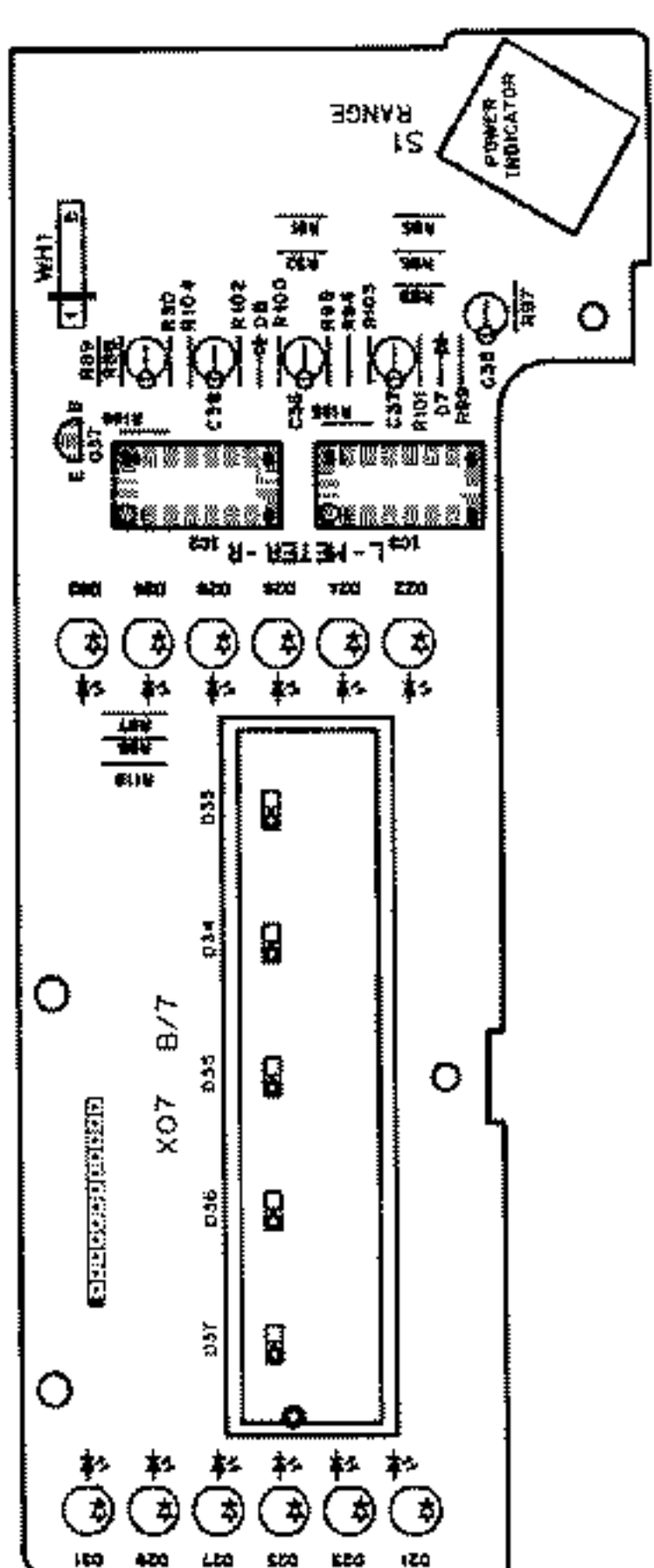
No.	ITEM	INPUT SETTINGS	OUTPUT SETTINGS	AMPLIFIER SETTING	ALIGNMENT POINTS	ALIGN FOR	FIG.
1	IDLE CURRENT	-	Connect a DC voltmeter across CP1 (L) CP2 (R)	VOLUME: 0	VR1 (L) VR2 (R)	9-18mV	(a)

REGLAGES

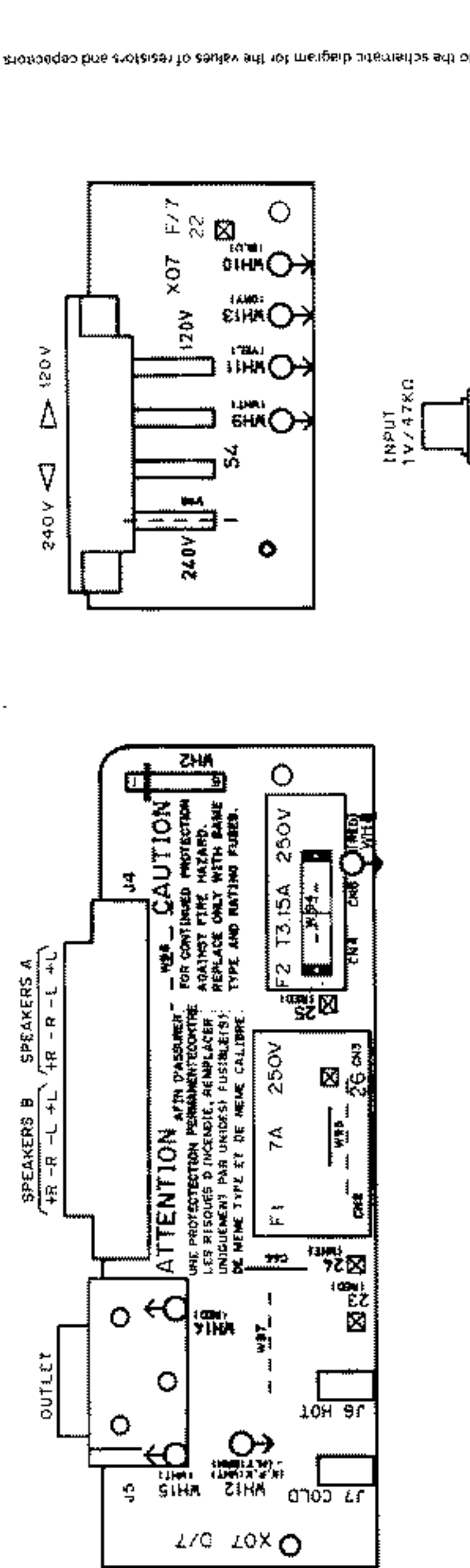
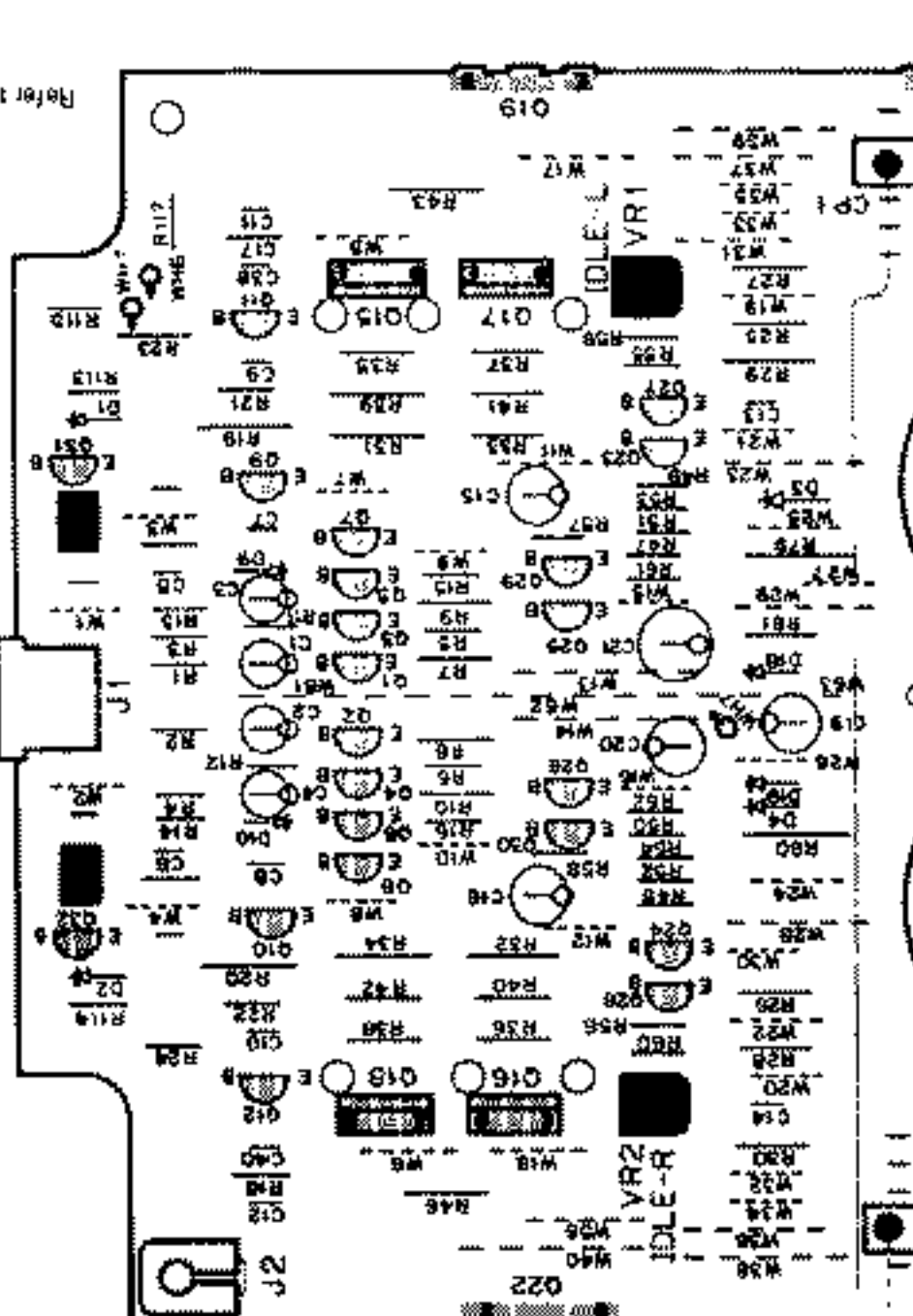
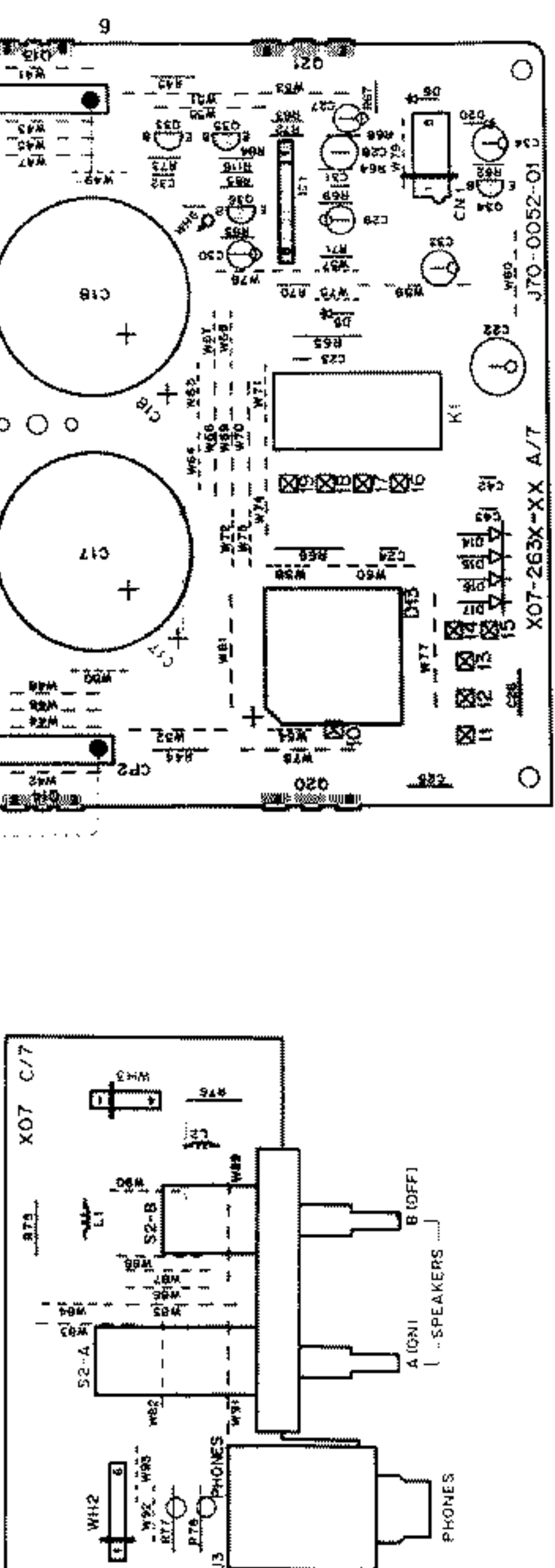
N°	ITEM	REGLAGE DE L'ENTREE	REGLAGE DE LA SORTIE	REGLAGE DE L'AMPLIFICATEUR	POINTS DE L'ALIGNEMENT	ALIGNER POUR	FIG.
1	COURANT DE POLARISATION	-	Connecter un voltmètre de DC sur CP1 (L) CP2 (R)	VOLUME: 0	VR1 (L) VR2 (R)	9-18mV	(a)

ABGLEICH

NR.	GEGENSTAND	EINSTELLUNG	ANZAHL	VORSTÄRKE-EINSTELLUNG	ABGLEICHE-PUNKTE	ABGLEICHEN FÜR	ABB.
1	LEERLAUFSTROM	Einstellen Gleichspannungsmesser über CP1 (L) CP2 (R) anschließen.	Flächen	VOLUME: 0	VR1 (L) VR2 (R)	9-18mV	(a)

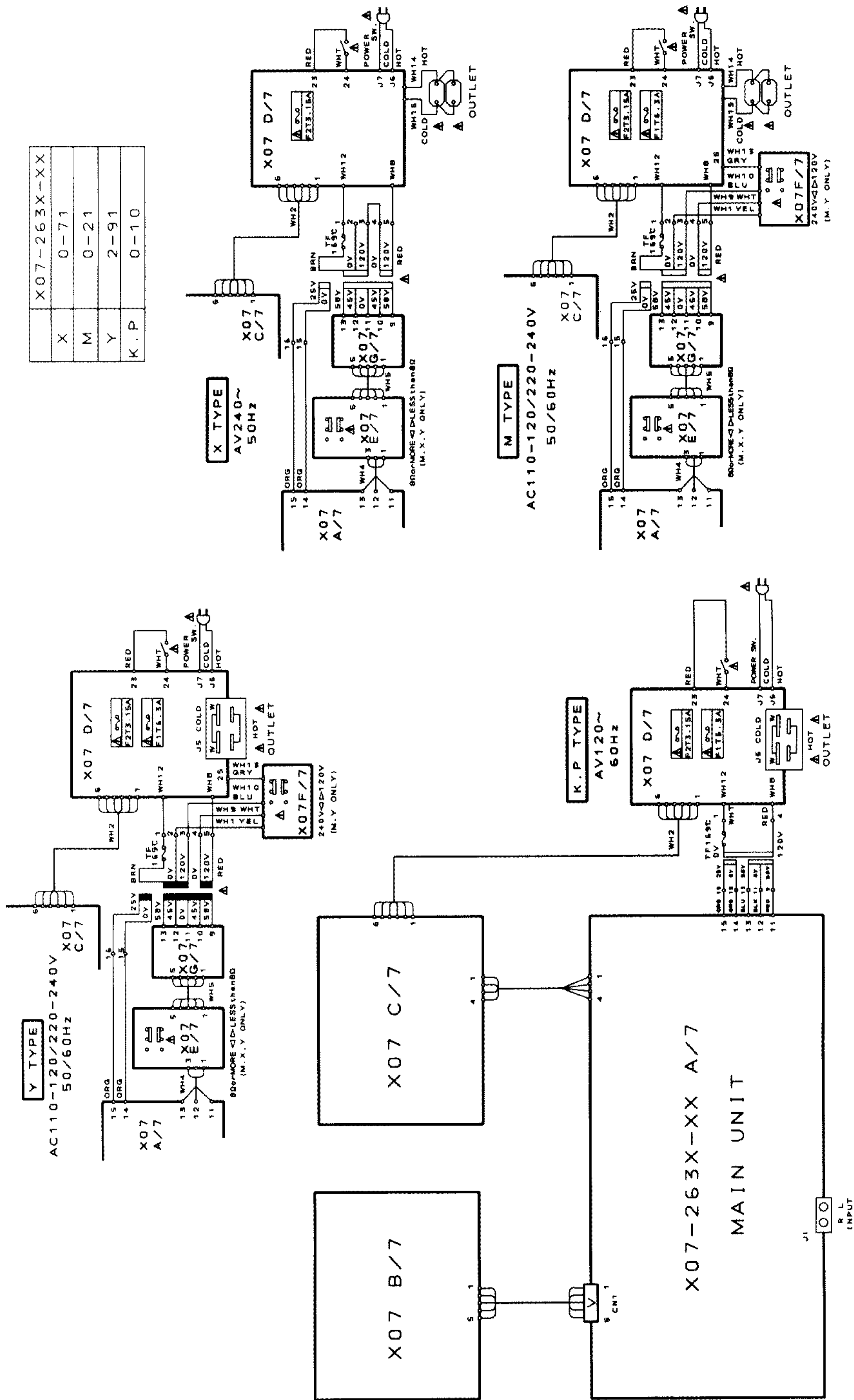


PC BOARD (Component side view)



Refer to the schematic diagram for the values of resistors and capacitors.

KM-992 KM-992 WIRING DIAGRAM



SPECIFICATIONS

For Other Countries

Rated Power Output
 (HF '66) from 20 Hz to 20,000 Hz
 0.03% T.H.D. at 8Ω
 Music Power (8 Ω)
 Total Harmonic Distortion
 20 Hz to 20,000 Hz
 1 kHz
Inter Modulation Distortion
 (60 Hz:7 kHz = 4:1)
Frequency Response
 5 Hz to 200 kHz, +0 dB, -3 dB
Signal-to-Noise Ratio (HF-A)
 120 dB (MAIN IN)
Damping Factor
 More than 35 at 50 Hz into 8Ω

General

Power Consumption
 350 W (IEC)

AC outlets
 2; (Total 200 W max.)

Dimensions
 W: 440 mm
 H: 133 mm
 D: 276 mm

Weight (Net)
 8.6 kg (19.0 lb)

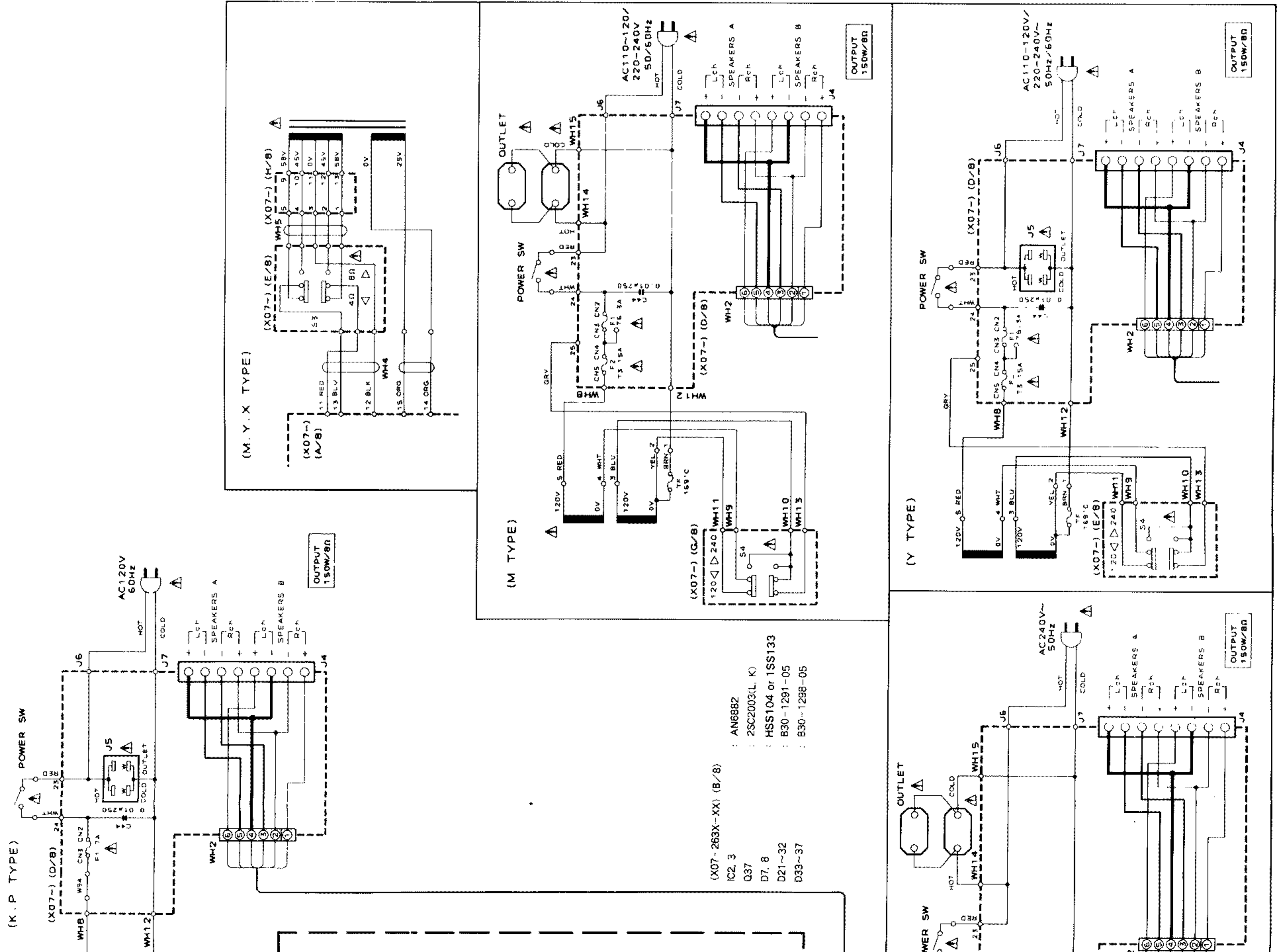
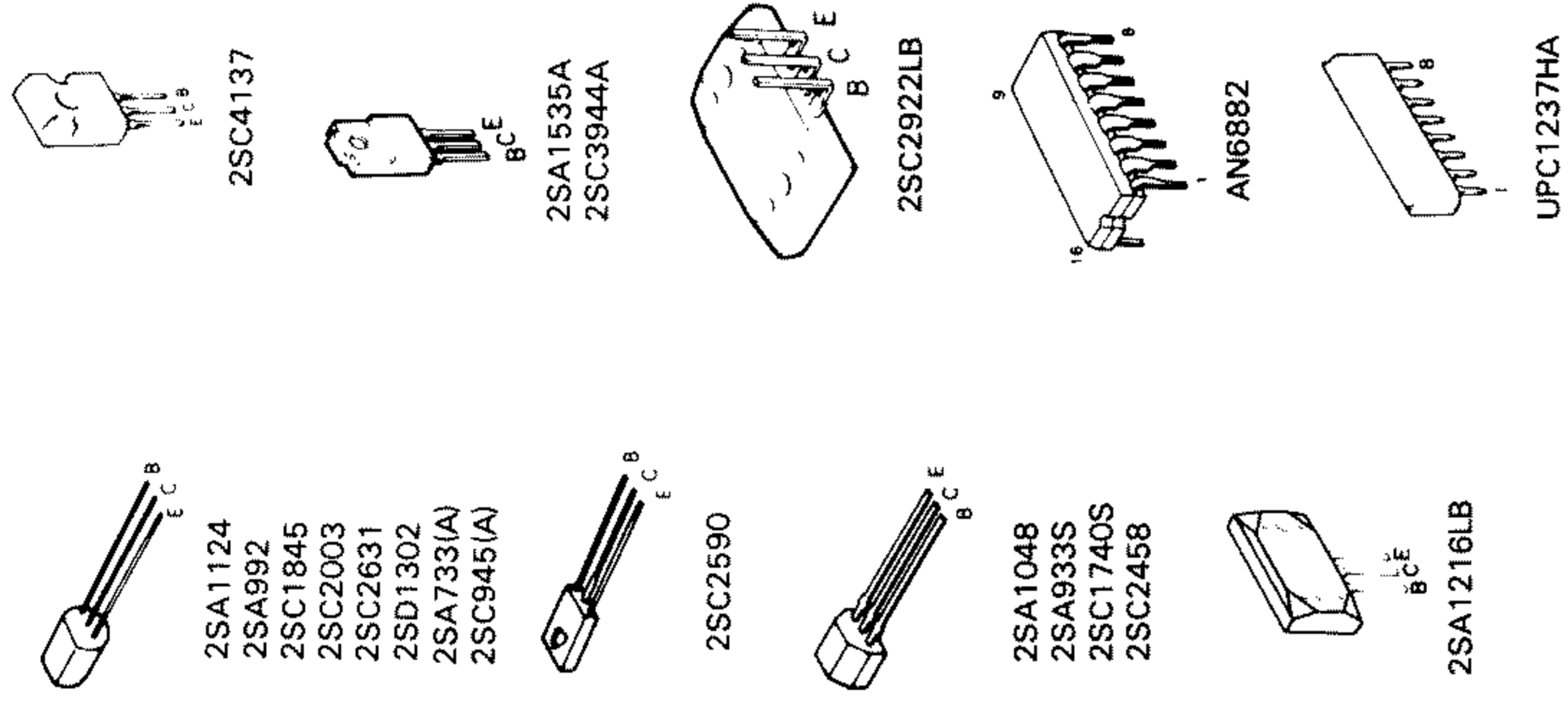
PARTS LIST

① indicates safety critical components

Ref No	Description	Part No.	Address
W1.2	TRIMMING POT. (1K)	R12-1616-05	USA
K1	MAGNETIC RELAY	S51-2078-05	USA
S1	ROTARY SWITCH W/ETER RANGE	S60-0003-05	USA
S2	MULTIPLE PUSH SWITCH SPEAKERS	S42-2153-05	USA
S3	SLIDE SWITCH IMPEDANCE SELECT	S31-2136-05	USA
S4	SLIDE SWITCH VOLTAGE SELECT	S42-0001-05	USA
D1.2	DIODE	HSS104	USA
D1	DIODE	HSS133	USA
D6	DIODE	HSS104A	USA
D3	DIODE	HSS131	USA
D7	DIODE	HSS104	USA
D10	DIODE	HSS133	USA
D11	DIODE	S15V20	USA
D12	DIODE	S5568	USA
D13	DIODE	S5568	USA
D14	DIODE	S5568	USA
D15	DIODE	S5568	USA
D16	DIODE	S5568	USA
D17	DIODE	S5568	USA
D18	DIODE	S5568	USA
D19	DIODE	S5568	USA
D20	DIODE	S5568	USA
D21	DIODE	S5568	USA
D22	DIODE	S5568	USA
D23	DIODE	S5568	USA
D24	DIODE	S5568	USA
D25	DIODE	S5568	USA
D26	DIODE	S5568	USA
D27	DIODE	S5568	USA
D28	DIODE	S5568	USA
D29	DIODE	S5568	USA
D30	DIODE	S5568	USA
D31	DIODE	S5568	USA
D32	DIODE	S5568	USA
D33	DIODE	S5568	USA
D34	DIODE	S5568	USA
D35	DIODE	S5568	USA
D36	DIODE	S5568	USA
D37	DIODE	S5568	USA
D38	DIODE	S5568	USA
D39	DIODE	S5568	USA
D40	DIODE	S5568	USA
D41	DIODE	S5568	USA
D42	DIODE	S5568	USA
D43	DIODE	S5568	USA
D44	DIODE	S5568	USA
D45	DIODE	S5568	USA
D46	DIODE	S5568	USA
D47	DIODE	S5568	USA
D48	DIODE	S5568	USA
D49	DIODE	S5568	USA
D50	DIODE	S5568	USA
D51	DIODE	S5568	USA
D52	DIODE	S5568	USA
D53	DIODE	S5568	USA
D54	DIODE	S5568	USA
D55	DIODE	S5568	USA
D56	DIODE	S5568	USA
D57	DIODE	S5568	USA
D58	DIODE	S5568	USA
D59	DIODE	S5568	USA
D60	DIODE	S5568	USA
D61	DIODE	S5568	USA
D62	DIODE	S5568	USA
D63	DIODE	S5568	USA
D64	DIODE	S5568	USA
D65	DIODE	S5568	USA
D66	DIODE	S5568	USA
D67	DIODE	S5568	USA
D68	DIODE	S5568	USA
D69	DIODE	S5568	USA
D70	DIODE	S5568	USA
D71	DIODE	S5568	USA
D72	DIODE	S5568	USA
D73	DIODE	S5568	USA
D74	DIODE	S5568	USA
D75	DIODE	S5568	USA
D76	DIODE	S5568	USA
D77	DIODE	S5568	USA
D78	DIODE	S5568	USA
D79	DIODE	S5568	USA
D80	DIODE	S5568	USA
D81	DIODE	S5568	USA
D82	DIODE	S5568	USA
D83	DIODE	S5568	USA
D84	DIODE	S5568	USA
D85	DIODE	S5568	USA
D86	DIODE	S5568	USA
D87	DIODE	S5568	USA
D88	DIODE	S5568	USA
D89	DIODE	S5568	USA
D90	DIODE	S5568	USA
D91	DIODE	S5568	USA
D92	DIODE	S5568	USA
D93	DIODE	S5568	USA
D94	DIODE	S5568	USA
D95	DIODE	S5568	USA
D96	DIODE	S5568	USA
D97	DIODE	S5568	USA
D98	DIODE	S5568	USA
D99	DIODE	S5568	USA
D100	DIODE	S5568	USA

① indicates safety critical components

Ref No	Description	Part No.	Address
C19.16	ELECTROLYTIC CAPACITOR	C90-1657-05	USA
C19.20	ELECTROLYTIC CAPACITOR	C90-1657-05	USA
C19.24	ELECTROLYTIC CAPACITOR	C90-1657-05	USA
C21	ELECTROLYTIC CAPACITOR	C90-1657-05	USA
C22	ELECTROLYTIC CAPACITOR	C90-1657-05	USA
C23	ELECTROLYTIC CAPACITOR	C90-1657-05	USA
C24	ELECTROLYTIC CAPACITOR	C90-1657-05	USA
C25	ELECTROLYTIC CAPACITOR	C90-1657-05	USA
C26	ELECTROLYTIC CAPACITOR	C90-1657-05	USA
C27	ELECTROLYTIC CAPACITOR	C90-1657-05	USA
C28	ELECTROLYTIC CAPACITOR	C90-1657-05	USA
C29	ELECTROLYTIC CAPACITOR	C90-1657-05	USA
C30	ELECTROLYTIC CAPACITOR	C90-1657-05	USA
C31	ELECTROLYTIC CAPACITOR	C90-1657-05	USA
C32	ELECTROLYTIC CAPACITOR	C90-1657-05	USA
C33	ELECTROLYTIC CAPACITOR	C90-1657-05	USA
C34	ELECTROLYTIC CAPACITOR	C90-1657-05	USA
C35	ELECTROLYTIC CAPACITOR	C90-1657-05	USA
C36	ELECTROLYTIC CAPACITOR	C90-1657-05	USA
C37	ELECTROLYTIC CAPACITOR	C90-1657-05	USA
C38	ELECTROLYTIC CAPACITOR	C90-1657-05	USA
C39	ELECTROLYTIC CAPACITOR	C90-1657-05	USA
C40	ELECTROLYTIC CAPACITOR	C90-1657-05	USA
C41	ELECTROLYTIC CAPACITOR	C90-1657-05	USA
C42	ELECTROLYTIC CAPACITOR	C90-1657-05	USA
C43	ELECTROLYTIC CAPACITOR	C90-1657-05	USA
C44	ELECTROLYTIC CAPACITOR	C90-1657-05	USA
C45	ELECTROLYTIC CAPACITOR	C90-1657-05	USA
C46	ELECTROLYTIC CAPACITOR	C90-1657-05	USA
C47	ELECTROLYTIC CAPACITOR	C90-1657-05	USA
C48	ELECTROLYTIC CAPACITOR	C90-1657-05	USA
C49	ELECTROLYTIC CAPACITOR	C90-1657-05	USA
C50	ELECTROLYTIC CAPACITOR	C90-1657-05	USA
C51	ELECTROLYTIC CAPACITOR	C90-1657-05	USA
C52	ELECTROLYTIC CAPACITOR	C90-1657-05	USA
C53	ELECTROLYTIC CAPACITOR	C90-1657-05	USA
C54	ELECTROLYTIC CAPACITOR	C90-1657-05	USA
C55	ELECTROLYTIC CAPACITOR	C90-1657-05	USA
C56	ELECTROLYTIC CAPACITOR	C90-1657-05	USA
C57	ELECTROLYTIC CAPACITOR	C90-1657-05	USA
C58	ELECTROLYTIC CAPACITOR	C90-1657-05	USA
C59	ELECTROLYTIC CAPACITOR	C90-1657-05	USA
C60	ELECTROLYTIC CAPACITOR	C90-1657-05	USA
C61	ELECTROLYTIC CAPACITOR	C90-1657-05	USA
C62	ELECTROLYTIC CAPACITOR	C90-1657-05	USA
C63	ELECTROLYTIC CAPACITOR	C90-1657-05	USA
C64	ELECTROLYTIC CAPACITOR	C90-1657-05	USA
C65	ELECTROLYTIC CAPACITOR	C90-1657-05	USA
C66	ELECTROLYTIC CAPACITOR	C90-1657-05	USA
C67	ELECTROLYTIC CAPACITOR	C90-1657-05	USA
C68	ELECTROLYTIC CAPACITOR	C90-1657-05	USA
C69	ELECTROLYTIC CAPACITOR	C90-1657-05	USA
C70	ELECTROLYTIC CAPACITOR	C90-1657-05	USA
C71	ELECTROLYTIC CAPACITOR	C90-1657-05	USA
C72	ELECTROLYTIC CAPACITOR	C90-1657-05	USA
C73	ELECTROLYTIC CAPACITOR	C90-1657-05	USA
C74	ELECTROLYTIC CAPACITOR	C90-1657-05	USA
C75	ELECTROLYTIC CAPACITOR	C90-1657-05	USA
C76	ELECTROLYTIC CAPACITOR	C90-1657-05	USA
C77	ELECTROLYTIC CAPACITOR	C90-1657-05	USA
C78	ELECTROLYTIC CAPACITOR	C90-1657-05	USA
C79	ELECTROLYTIC CAPACITOR	C90-1657-05	USA
C80	ELECTROLYTIC CAPACITOR	C90-1657-05	USA
C81	ELECTROLYTIC CAPACITOR	C90-1657-05	USA
C82	ELECTROLYTIC CAPACITOR	C90-1657-05	USA
C83	ELECTROLYTIC CAPACITOR	C90-1657-05	USA
C84	ELECTROLYTIC CAPACITOR	C90-1657-05	USA
C85	ELECTROLYTIC CAPACITOR	C90-1657-05	USA
C86	ELECTROLYTIC CAPACITOR	C90-1657-05	USA
C87	ELECTROLYTIC CAPACITOR	C90-1657-05	USA
C88	ELECTROLYTIC CAPACITOR	C90-1657-05	USA
C89	ELECTROLYTIC CAPACITOR	C90-1657-05	USA
C90	ELECTROLYTIC CAPACITOR	C90-1657-05	USA



CAUTION: For continued safety, replace safety critical components only with manufacturer's recommended parts (refer to parts list). Δ Indicates safety critical components. To reduce the risk of electric shock, leakage-current or resistance measurements shall be carried out (exposed parts are acceptably insulated from the supply circuit) before the appliance is returned to the customer.

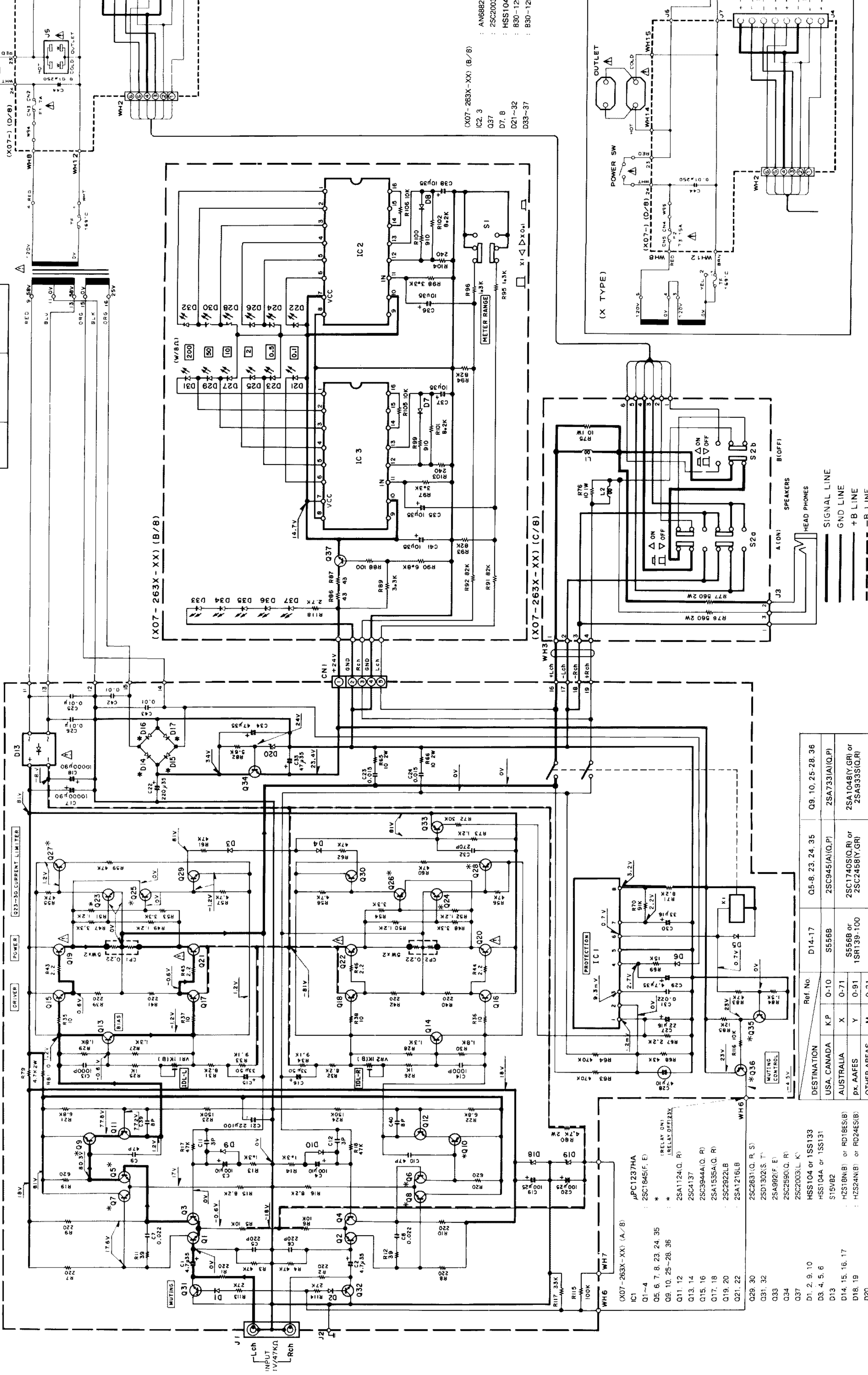
DC voltages are as measured with a high impedance voltmeter. Values may vary slightly due to variations between individual instruments or/and units.

Les tensions c.c. doivent être mesurées avec un voltmètre à haute impédance. Les valeurs peuvent différer légèrement du fait des variations inhérentes aux appareils et aux instruments de mesure individuels.

Die angegebenen Gleichspannungswerte wurden mit einem hochohmigen Spannungsmesser gemessen. Dabei schwanken die Meßwerte aufgrund von Unterschieden zwischen einzelnen Instrumenten oder Geräten u. U. geringfügig.

PIN NO	85	81	MORE	LESS	THAN	BRL
11, 13	AC37	74				AC41, 5V

(X07-263X-XX)(A/B)



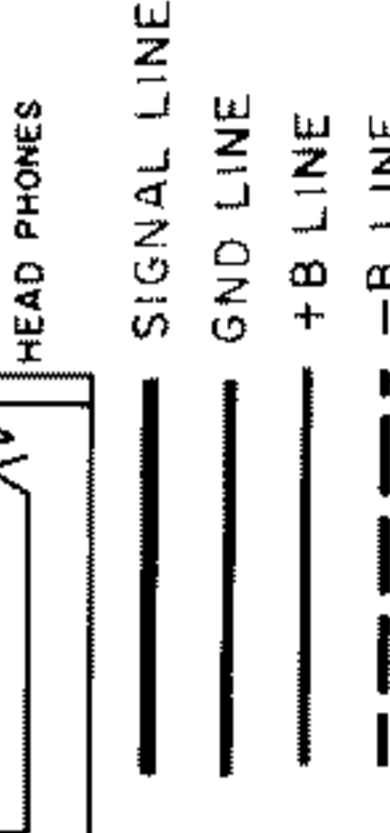
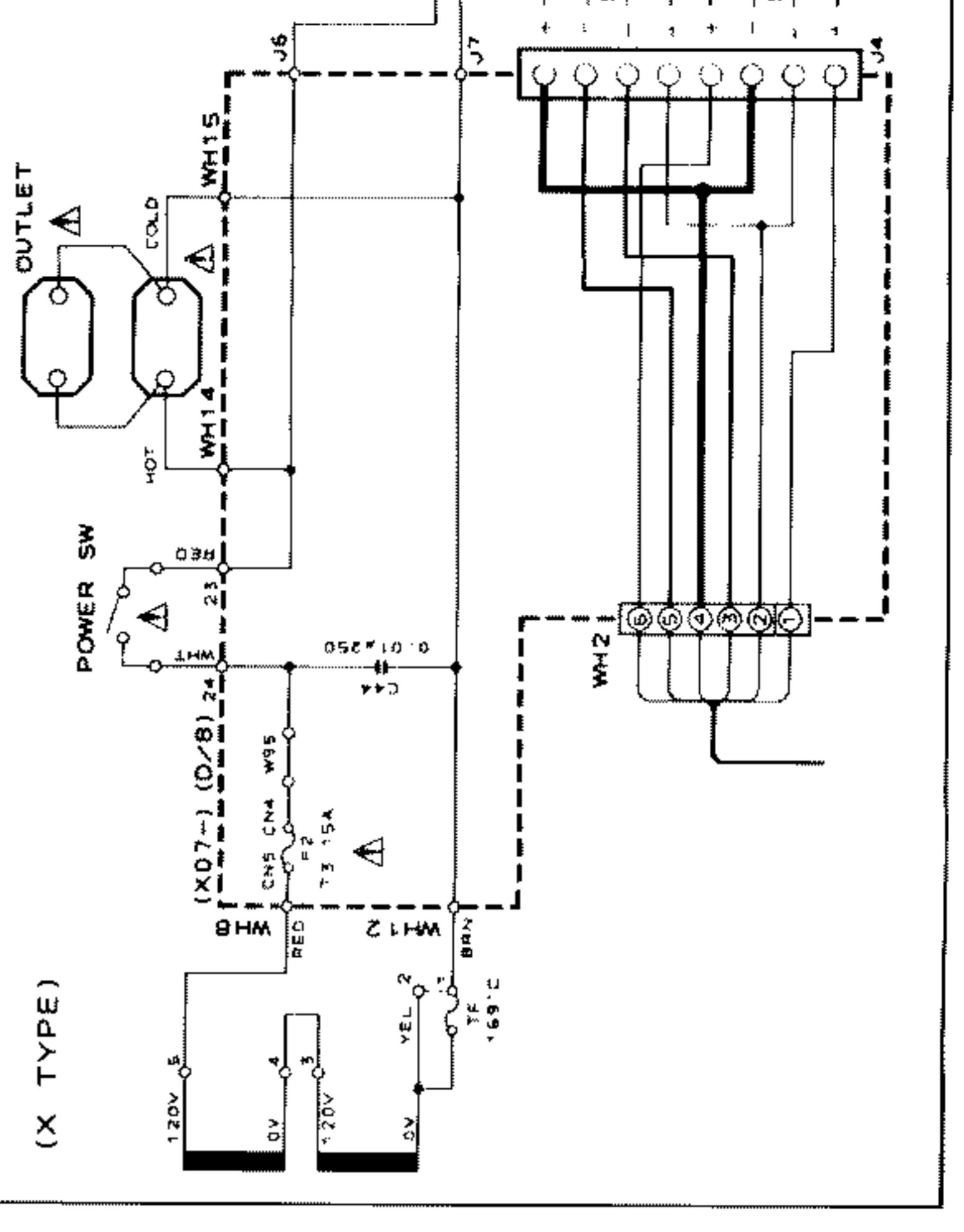
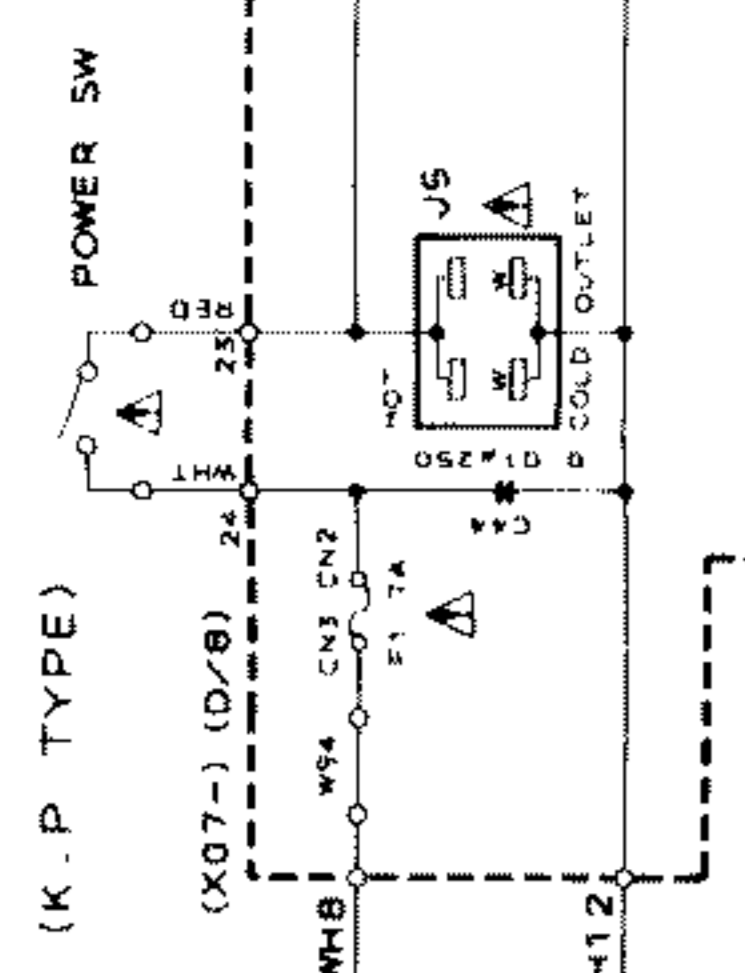
(X07-263X-XX)(B/B)

(X07-263X-XX)(C/B)

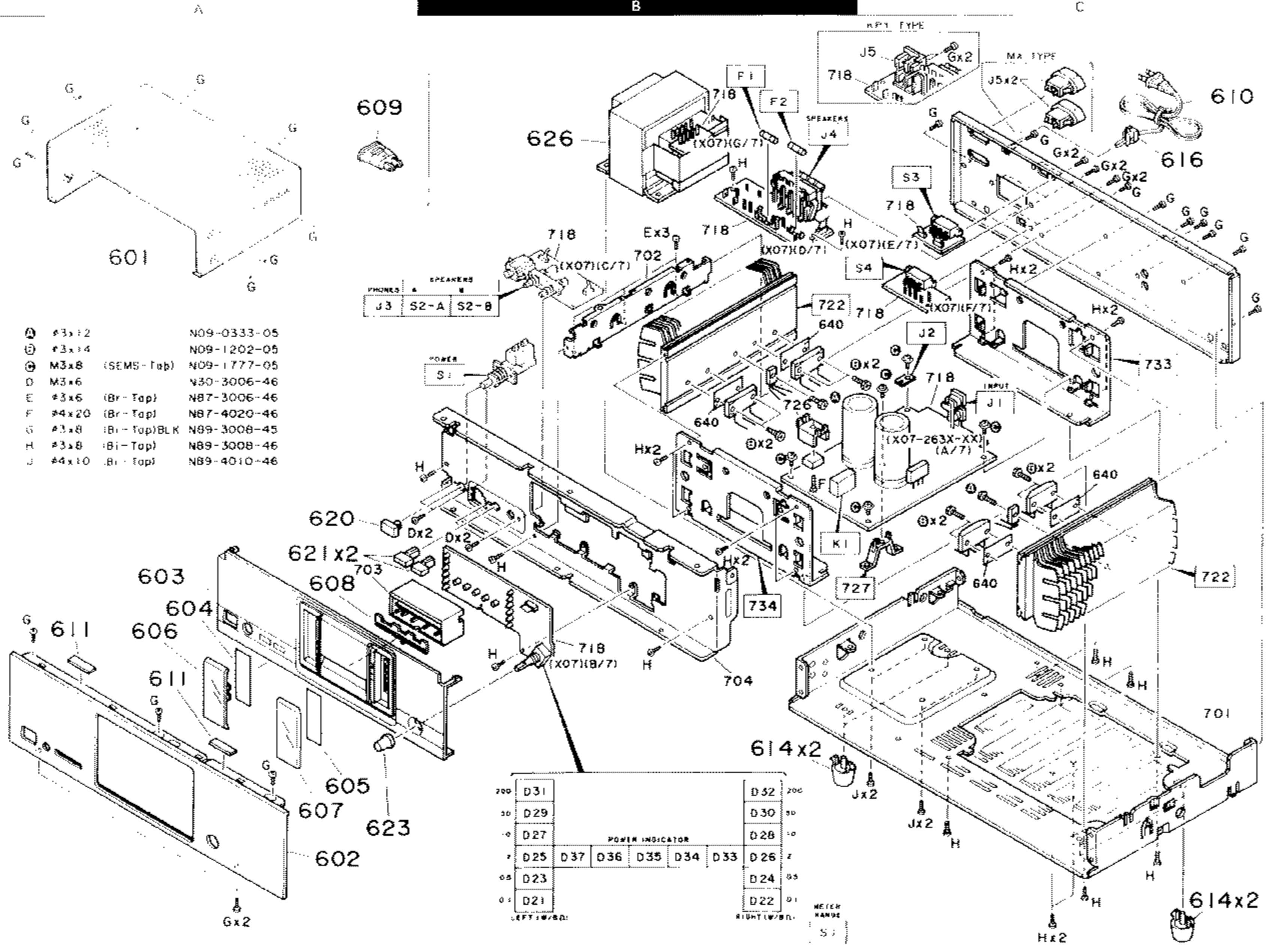
(X07-263X-XX)(B/B)
 IC2, 3 : AN6882
 Q37 : 2SC2003(L)
 D7, 8 : HSS104 or
 D21-32 : B30-1291-
 D33-37 : B30-1298-

DESTINATION	Ref. No	D14-17	Q5-8, 23, 24, 35	Q9, 10, 25-28, 36
USA, CANADA	K.P	S556B	2SC945(A)(Q,P)	2SA733(A)(Q,P)
AUSTRALIA	X	S556B or 18N139-100	2SC1740S(Q,R) or 2SC2458(Y,GR)	2SA1048(Y,GR) or 2SA933S(Q,R)
PK. AAFES	Y	0-91		
OTHER AREAS	M	0-21		

Q1	2SC1237HA
Q2	2SC1845(F, E)
Q3	2SA1124(Q, R)
Q4	2SC14137
Q5	2SC3944A(Q, R)
Q6	2SA1535A(Q, R)
Q7	2SC2822(LB)
Q8	2SA1216(LB)
Q9	2SC2631(Q, R, S)
Q10	2SD1302(S, T)
Q11	2SA992(F, E)
Q12	2SC2590(Q, R)
Q13	2SC2003(L, K)
Q14	HSS104 or 1SS133
Q15	HSS104A or 1SS131
Q16	S15V82
Q17	HZ518N(B) or RD18ES(B)
Q18	HZ524N(B) or RD24ES(B)



Parts with the exploded numbers larger than 700 are not supplied.



EXPLODED VIEW (MECHANISM UNIT)

KM-992

KM-992

Parts with the exploded numbers larger than 700 are not supplied.
 Parts with the exploded numbers larger than 700 are not supplied.
 Parts with the exploded numbers larger than 700 are not supplied.

Main amplifier unit

X07-2630-10	KM-992K, P
X07-2630-21	KM-992M
X07-2630-71	KM-992X
X07-2632-91	KM-992Y

PARTS LIST

Ref. No.	Address New Parts	Parts No.	Description	Destination	Remarks
参照番号	位置	部品番号	部品名/規格	仕向	備考
KM-992					
601	1A	A01-1930-01	METALLIC CABINET		
602	2A	A60-0209-02	PANEL		
603	2A	B01-0478-01	PANEL ESCUTCHEON		
604	2A	B03-2770-14	DRESSING PLATE	L	
605	2A	B03-2771-14	DRESSING PLATE	R	
606	2A	B10-1840-03	FRONT GLASS	L	
607	2A	B10-1841-03	FRONT GLASS	R	
608	2A	B12-0156-04	INDICATOR		
		B58-0513-04	CAUTION CARD (PRESET220-240)	Y	
		B60-0803-00	INSTRUCTION MANUAL (ENGLISH)	P	
		B60-0804-00	INSTRUCTION MANUAL (FRENCH)	P	
		B60-0805-00	INSTRUCTION MANUAL (SP,AL,CH)	M	
609	1A	E03-0115-05	AC PLUG ADAPTER	M	
610	1C	E30-0459-05	AC POWER CORD	M	
610	1C	E30-0812-05	AC POWER CORD	Y	
610	1C	E30-1341-05	AC POWER CORD	X	
610	1C	E30-2209-05	AC POWER CORD	KP	
615	1C	E03-0055-05	AC OUTLET	M	
615	1C	E03-0114-05	AC OUTLET	X	
611	2B	G11-0155-14	SOFT TAPE (40X9X2)		
		H50-0790-04	ITEM CARTON CASE	KPYX	
		H50-0306-04	ITEM CARTON CASE	M	
		H10-3979-12	POLYSTYRENE FOAMED FIXTURE		
		H25-0223-04	PROTECTION BAG (750X350X0.03)		
		H25-0232-04	PROTECTION BAG (235X350X0.03)		
614	2B, 2C	J02-1013-05	FOOT		
616	1C	J42-0083-05	POWER CORD BUSHING		
		J61-0307-05	WIRE BAND		
620	2A	K27-2004-04	KNOB (BUTTON) POWER		
621	2A	K27-2014-04	KNOB (BUTTON) SPEAKER		
623	2A	K29-4130-04	KNOB (BUTTON) METER RANGE		
626	1B	L01-7901-05	POWER TRANSFORMER	KP	
626	1B	L01-7905-05	POWER TRANSFORMER	YMK	
D	2B	N30-3006-46	PAN HEAD MACHIN SCREW		
E	1B	N87-3006-46	BRAZIER HEAD TAPTITE SCREW		
C	1A, 1B	N89-3008-46	BINDING HEAD TAPTITE SCREW		
H	1B, 1C	N89-3008-46	BINDING HEAD TAPTITE SCREW		
J	2C	N89-4010-46	BINDING HEAD TAPTITE SCREW		
S1	1B	S40-1094-05	PUSH SWITCH POWER		
MAIN AMPLIFIER UNIT (X07-263X-XX)					
D21 - 32		B30-1291-05	LED(LN21CPLX(V)-(TA4))		
D33 - 37		B30-1298-05	LED(SEL1213C-LC02)		
C1	.2	CC04LV1V47M	ELECTRO	4.7UF	35WV
C3	.4	CC04LV1A101M	ELECTRO	100UF	50WV
C5	.6	CC45FSL1H221J	CERAMIC	220PF	J
C7	.8	CC92FR1H223J	MYLAR	0.022UF	J
C9	.10	CC45FSL1H470J	CERAMIC	47PF	J
C11	.12	CC45FSL1H030C	CERAMIC	3.0PF	C
C13	.14	CC92FR1H102J	MYLAR	1000PF	J

ES:Australia KUSA P:Canada
 Y:Pakistan East (New) T:England E:Europe
 Y:AFES(France) X:Australia M:Other Areas
 A indicates safety critical components.